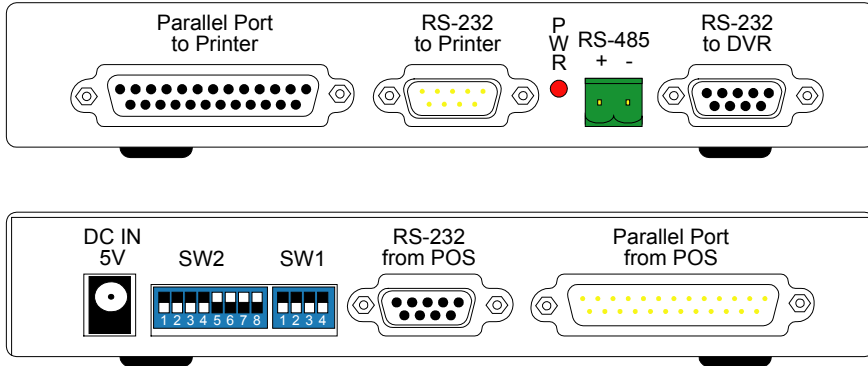


GV-Data Capture

GV-Data Capture is a device that links a GeoVision Digital Surveillance System, a PC-based DVR, to an electronic POS system. It is designed to be installed between a GV-System and a POS system, through PC COM ports.

Packing List

- | | |
|---------------------------------|--|
| 1 GV-Data Capture | 5 Power Adapter DC 5V |
| 2 DB9 RS-232 cable (1.8 meters) | 6 DB9 Male to DB9 Male Converter x 1 |
| 3 DB9 RS-232 cable (3 meters) | 7 DB9 Female to DB9 Female Converter x 1 |
| 4 DB25 parallel cable | 8 DB25 Male Printer Terminator x 1 |

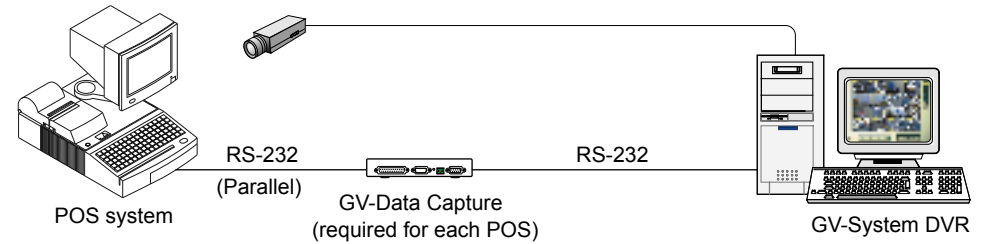


- Note:** 1. Suppose users use RS-485 to connect GV-Data Capture and GV-NET, then users have to use RS-232 to connect GV-NET and GV-System.
2. If users use RS-232 to connect the POS device to GV-Data Capture, then users must use RS-232 to connect the printer. If users use Parallel Port to connect the POS device to GV-Data Capture, then connection to the printer must be parallel as well.

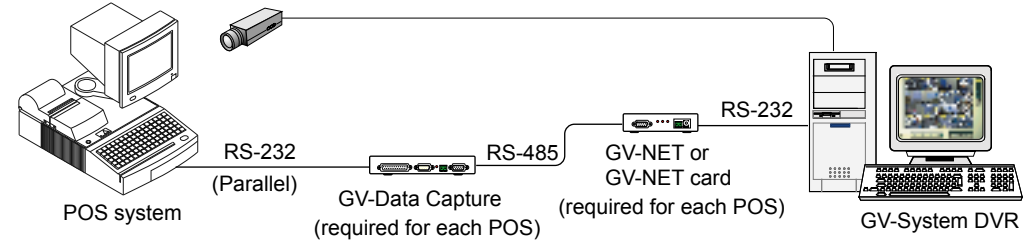
SW1	4 position DIP switch for baud rate settings.	1,200bps 2,400bps 4,800bps 9,600bps 19,200bps 38,400bps 57,600bps 115,200bps
SW2	8 position DIP switch for device settings.	Parallel Port Serial Port

Connecting Devices

- When the physical distance between your POS system and the GV-System is less than 10 meters (32 ft):



- When the physical distance between your POS system and the GV system is greater than 10 meters (32 ft):



Note: For this connection, the maximum distance of RS-485 is 1200 meters (4000 ft).

Specifications

Input	RS-232 from POS	DB9 Female
	Parallel Port from POS	DB25 Male
Output	RS-232 to Printer	DB9 Male
	Parallel Port to Printer	DB25 Female
	RS-232 Port to DVR	DB9 Female
	RS-485+	Connect to GV-NET RS-485+
	RS-485-	Connect to GV-NET RS-485-
Communication	RS-232 from POS	1,200bps~115,200bps
	Parallel Port from POS	SPP / Normal
	RS-232 to DVR	1,200bps~115,200bps
	RS-485 to GV-NET or GV-NET Card	1,200bps~19,200bps
DC IN	Power Adapter DC 5V, 2A Inner Positive	
Environmental Conditions	Operation temperature	0~50 degree C
	Humidity	5%~95% (non-condensing)
Dimensions	161 (W) x 34 (H) x 123 (D) mm	